

AMX

Hardware Deferrals

Version 20.2

1. ADAM 6050

Isolated contacts

For the isolated contacts we use the ADAM contact boxes with 12 inputs. Communication is ensured by LAN network and TCP IP protocol.

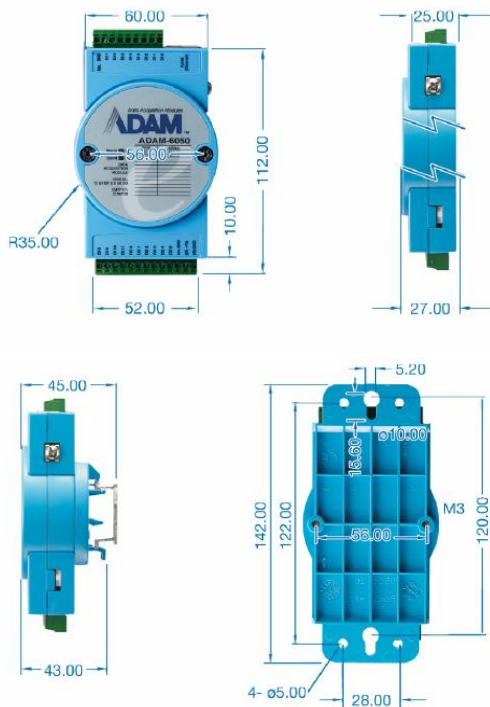
The installation must be carried out by an electrician, as this work is not carried out by ATT AG.

Components

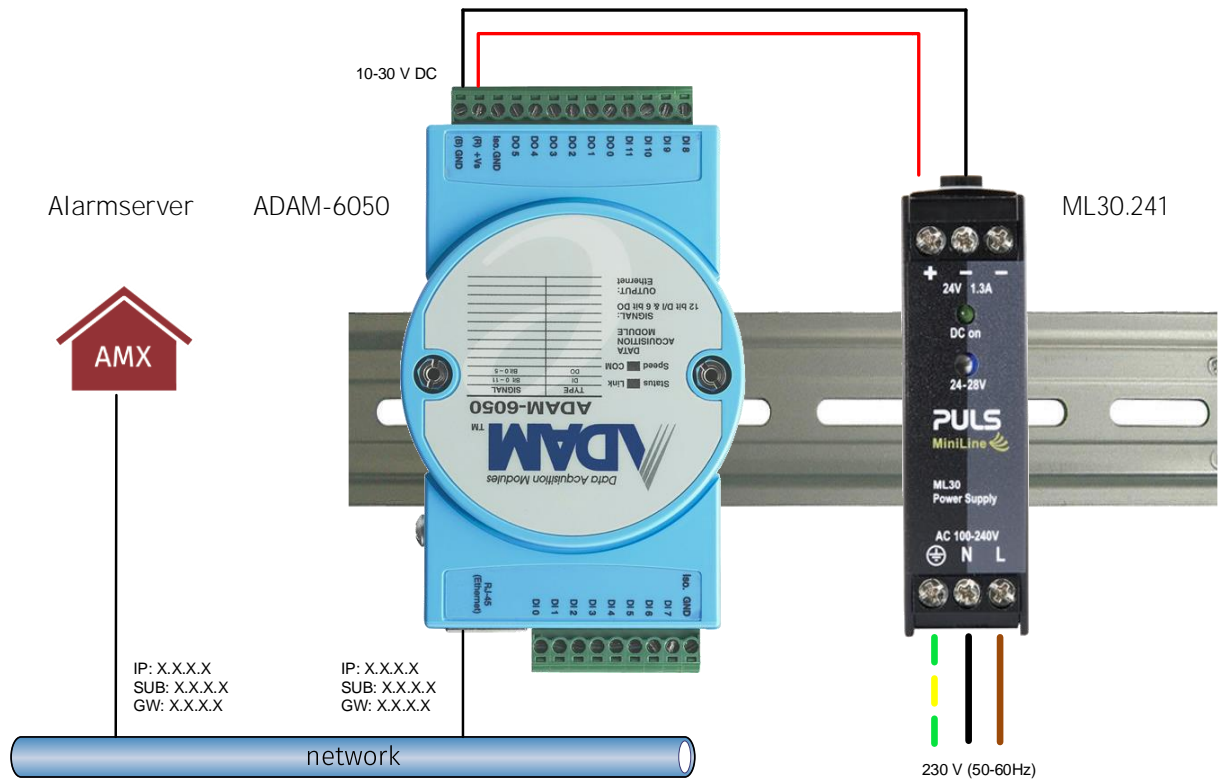
- Communication rate 10/100 MBit/s
- I/O type: 12 DI and 6 DO
- DIN 35
- Supports isolated/current leading contacts
- 24V Power Supply



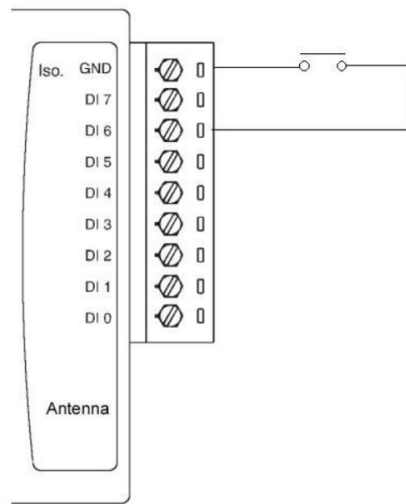
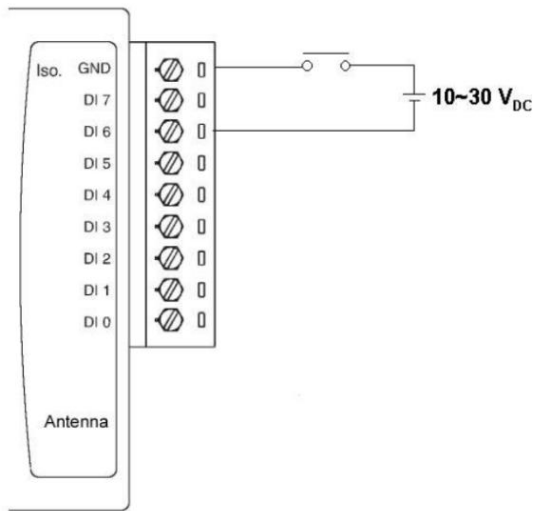
Dimensions



Installation instructions



Examples



Specifications

Digital Input

- **Channels** 12
- **Dry Contact** Logic level 0: close to GND
Logic level 1: open
- **Wet Contact** Logic level 0: 0 ~ 3 V_{DC}
Logic level 1: 10 ~ 30 V_{DC}
- **Supports 3 kHz Counter Input (32-bit + 1-bit overflow)**
- **Keep/Discard Counter Value when Power-off**
- **Supports 3 kHz Frequency Input**
- **Supports Inverted DI Status**

Digital Output

- **Channels** 6 (sink type), open collector to 30 V, 100 mA maximum load
- **Supports 5 kHz Pulse Output**
- **Supports High-to-Low and Low-to-High Delay Output**

Common Specifications

General

- **LAN** 10/100Base-T(X)
- **Power Consumption** 2 W @ 24 V_{DC}
- **Connectors** 1 x RJ-45 (LAN), Plug-in screw terminal block (I/O and power)
- **Watchdog** System (1.6 second) and Communication (programmable)

- **Power Input** 10 ~ 30 V_{DC}
- **Supports Peer-to-Peer, GCL**
- **Supports User Defined Modbus Address**
- **Supports Modbus/TCP, TCP/IP, UDP, DHCP, SNMP, HTTP and MQTT Protocol**

Protection

- **Power Reversal Protection**
- **Isolation Protection** 2,000 V_{DC}

Environment

- **Operating Temperature** -20 ~ 70°C (-4 ~ 158°F)
D version
-40 ~ 70°C (-40~158°F)
- **Storage Temperature** -30 ~ 80°C (-22 ~ 176°F)
D version
-40 ~ 80°C (-40~176°F)
- **Operating Humidity** 20 ~ 95% RH (non-condensing)
- **Storage Humidity** 0 ~ 95% RH (non-condensing)

2. ADAM 5000 L

Isolated contacts

Basic module ADAM 5000 L / TCP for isolated contacts with max. 4 slots, incl. Power Supply, Input 100-240VAC 1.5A, Output 24VDC 2A incl. licensing for activation.

The installation must be carried out by an electrician, as this work is not carried out by ATT AG.

Components

- Provides C and .NET library for application development
- 4 I/O slots for up to 64 points and 8 I/O slots for up to 128 points of data monitoring and control
- Simultaneous access from 8 host PCs possible
- Remote configuration via Ethernet possible
- ARM 32-Bit RISC CPU
- Requires additional plug-in modules 5051 or 5060



Dimensions

231 x 110 x 75 mm

Plug-in module 5051



Components

- 16 digital inputs
- Circuit type: Pull-up current: 0.5 mA (source type)
- Input voltage: 30 Vmax
- Power consumption: 0.53 W

Plug-in module 5060



Components

- 2 Form A and 4 Form C Relays
- Breakdown voltage: 500 VAC (50/60 Hz)
- Switching capacity: AC 125V @ 0.6A, DC 30V @ 2A
- Insulation resistance: 1000 MW min. at 500 VDC
- Relay switch-off time (typical): 1 ms
- Relay activation time (typical): 3 ms
- Total switching time: 10 ms

3. MOXA NPort 5110

RS232 IP converter

For the conversion of the serial interfaces to TCP/IP packets the MOXA Nport 5110 series with **1 x RS232 input** and **1 x TCP/IP output** is used. Thus e.g. the ESPA 4.4.4 telegrams can be transmitted over longer distances to the alarm server.

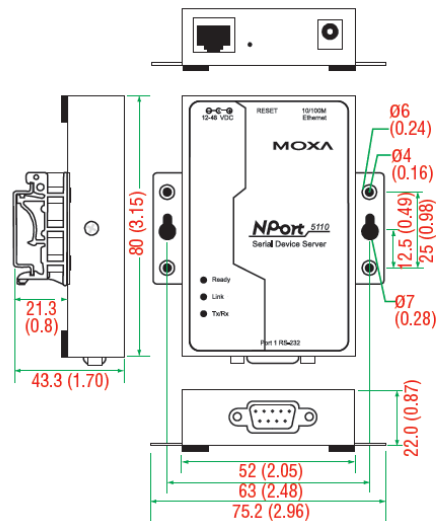
The installation must be carried out by an electrician, as this work is not carried out by ATT AG.

Components

- Communication rate 10/100 MBit/s
- DIN 35
- 24V power supply



Dimensions



Installation instructions

Power Supply



Alarmserver



IP: X.X.X.X
SUB: X.X.X.X
GW: X.X.X.X

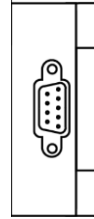
Nport 5110



Power Supply

IP: X.X.X.X
SUB: X.X.X.X
GW: X.X.X.X

network



Pin 3 1 = Rot (Rx)
Pin 5 2 = Gelb (Ground)
Pin 2 3 = Braun (Tx)

Externes System



4. ML30.241 – Power supply

For each component (ADAM 6050/6060/6066/5000 and Beckhoff system) one power supply must be used.

Components

- DIN 35
- Input: AC 100-240V (-15%/+10%) / DC 110V-300V (-20%/+25%)
- DC Output: 24-28Vdc / 1.3-1.1A
- 30 W



Dimensions

23 x 75 x 91mm

5. All in one Modem / Watchdog

SMS transmission and receiving

With the 3G modem, the alarm server sends fault messages via GSM SMS. A SIM card must be installed for this (customer-side). SMS can also be received and processed.

Network Monitoring

The network monitoring additionally allows a watchdog function. If the alarm server is no longer pinable (ICMP), a relay is opened or closed.

Components

- TCP/IP connection
- Slot SIM card (excl. SIM card)
- Protocol: GSM/EDGE/UMTS/HSPA
- 24V power supply
- 2 x digital inputs
- 2 x digital outputs (100mA at 5V DC)
- External antenna



SIM

- 2FF

